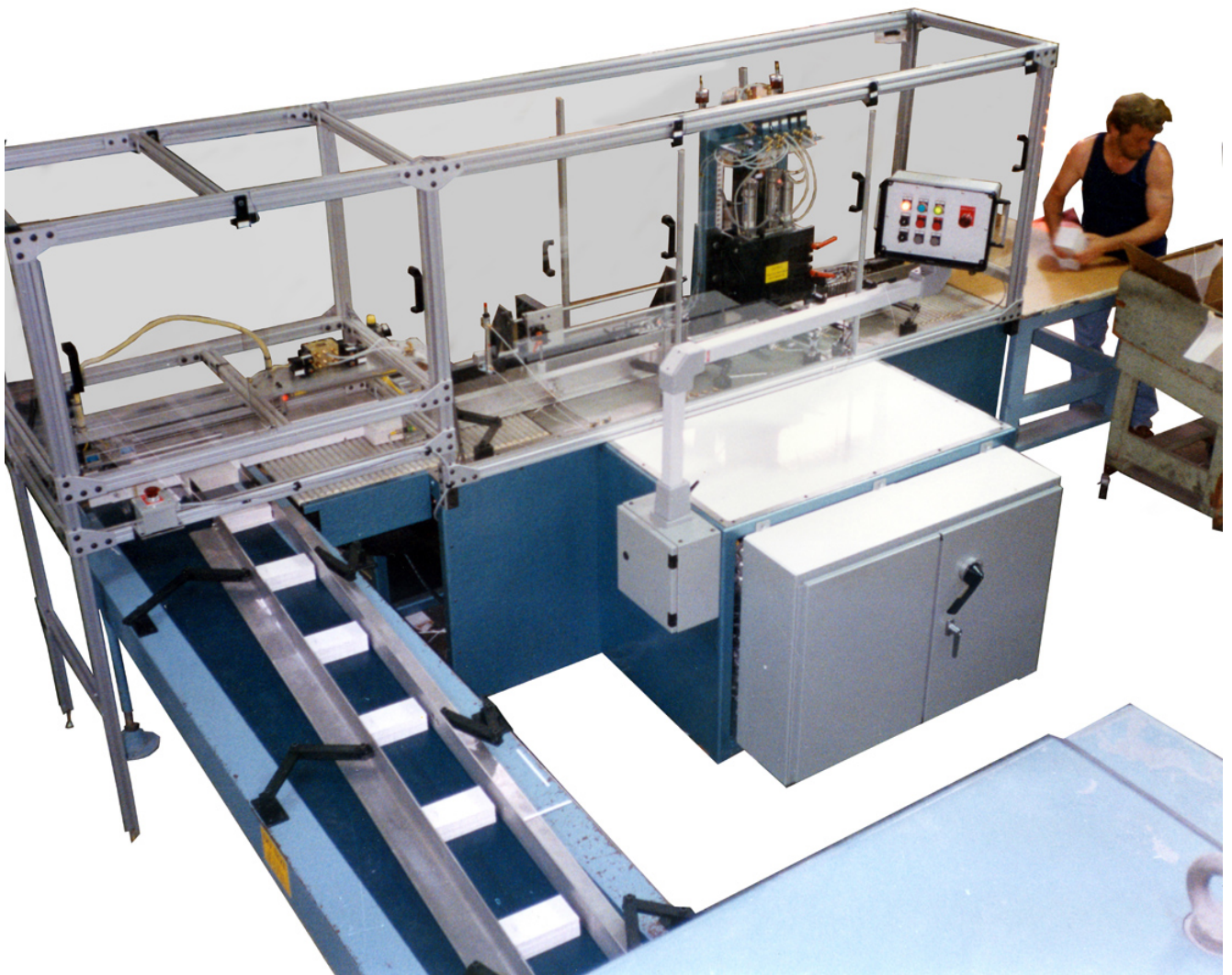


## **FULLY AUTOMATIC IN-LINE ROUND CORNERING**

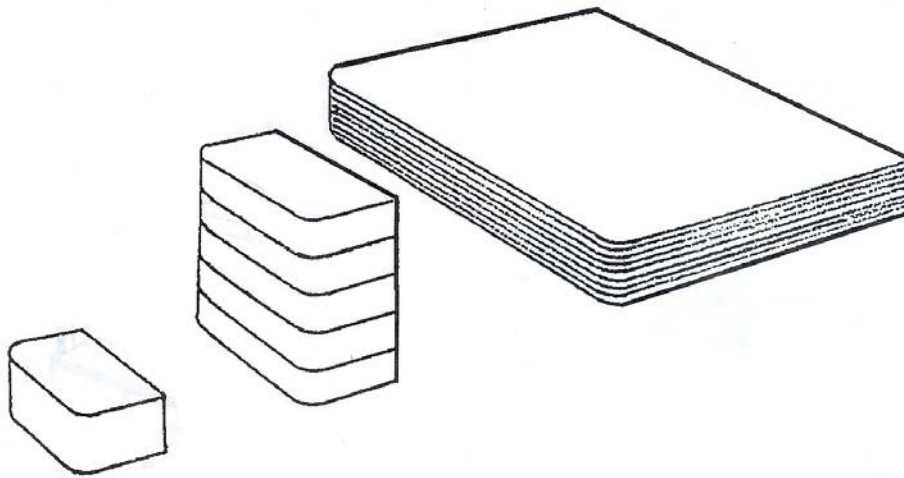


**CR300**

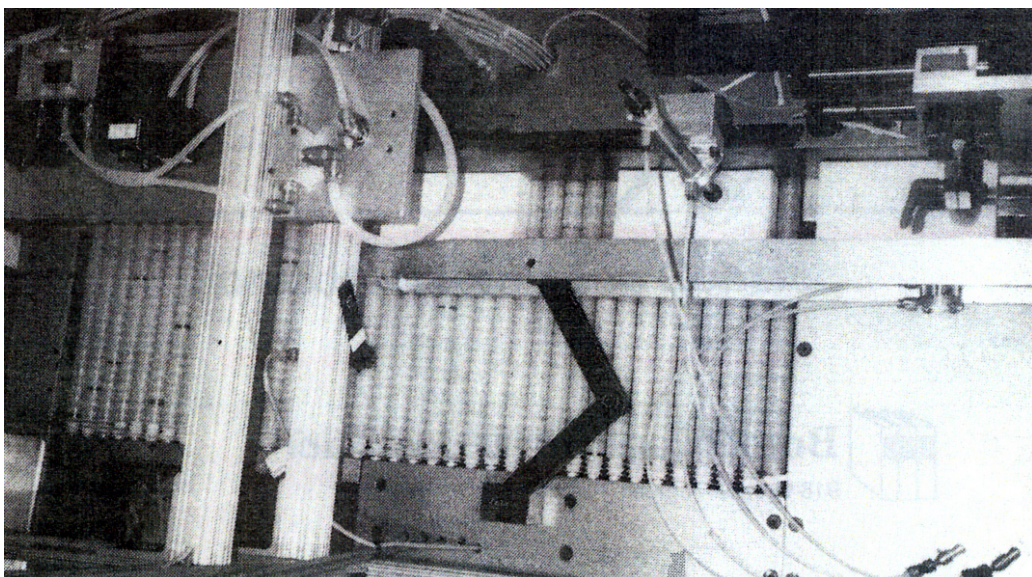
## VARIED USES

Suitable for all types of products

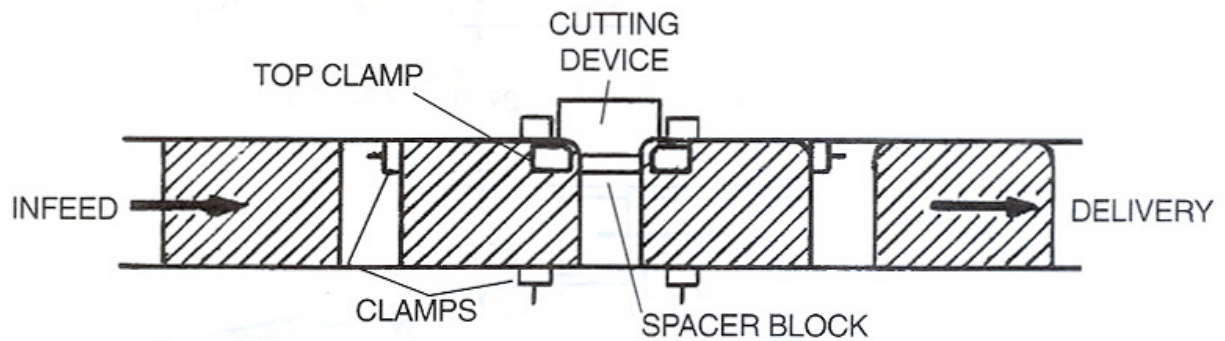
- books (single & multiple in pile)
- binder boards
- other type products



## VARIABLE FEEDER OPTIONS

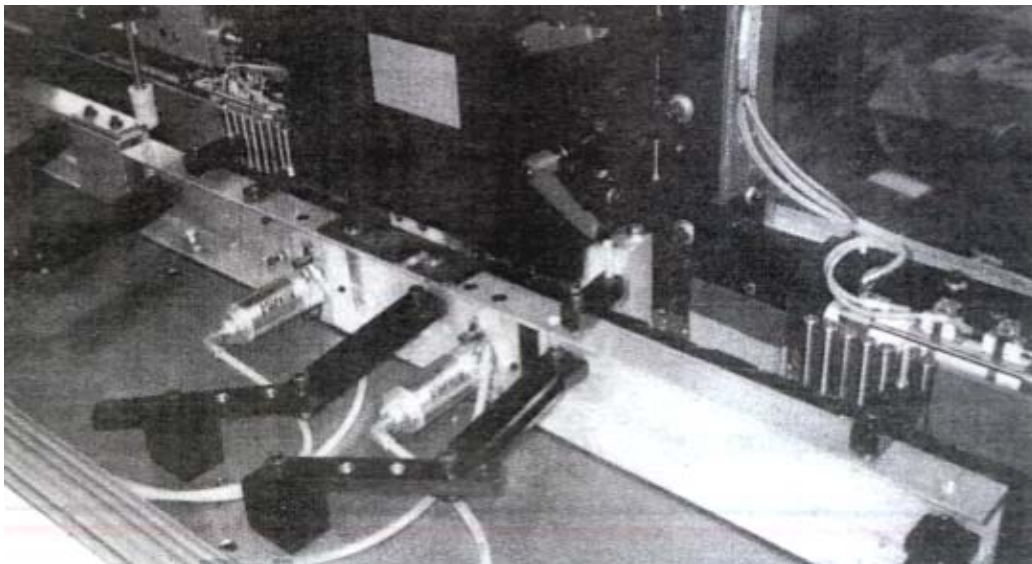


## MODE OF OPERATION



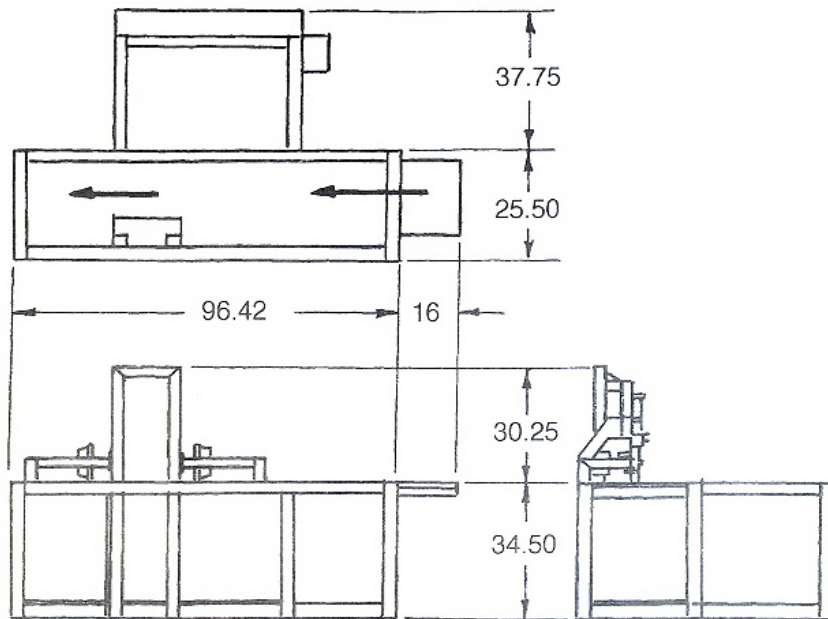
### POSITIVE PRODUCT POSITIONING

Accurate, high quality corners every time due to positive alignment and unique cutting technique.



SINGLE CORNER CUTTING ON TWO DIFFERENT PRODUCTS AT ONE TIME provides more accurate corners than conventional two headed slower machines.

**CR 300 ROUND CORNER MACHINE**



**SPECIFICATIONS**

speed: 40 books per minute  
or  
30 stacks per minute

size range: min. 2 5/16 w x 4 h x 3/16 bulk  
max. 8 1/2 w x 11 h x 3 1/4 bulk

larger sizes available on request

For more information contact:

**Ochsner + Co**  
St. Gallerstrasse 23  
CH-8716 Schmerikon , Switzerland  
Tel. +41-55-2861155 Fax. +41-55-2861166  
www.ochsner-co.ch info@ochsner-co.ch